

Rims Installation Guide



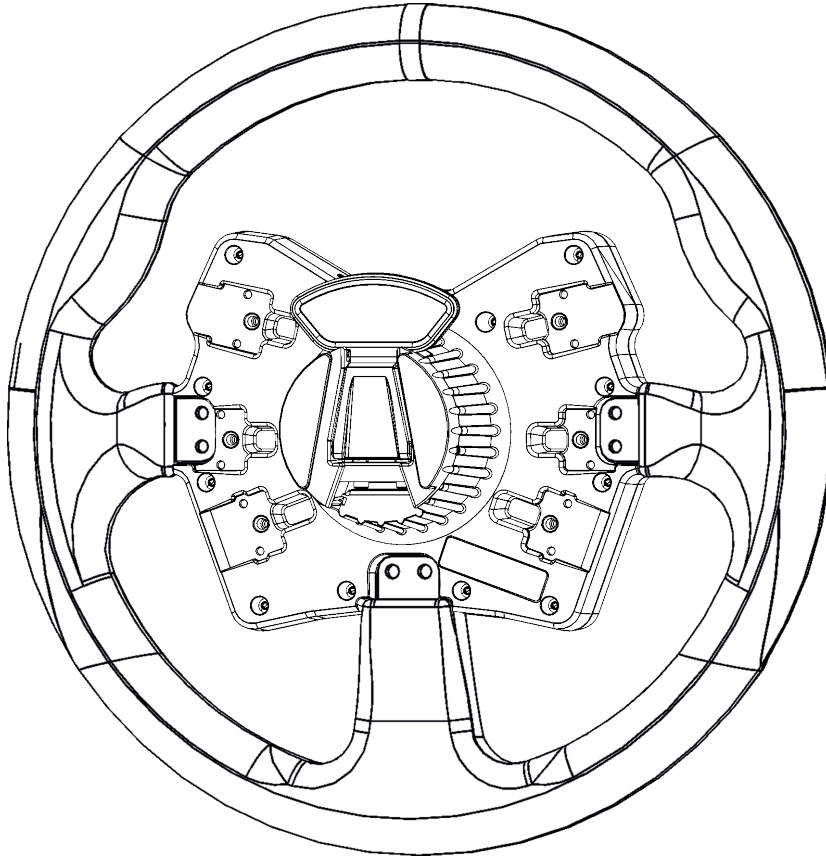
ASETEK
SIM SPORTS®

Rims:

Tools needed:

2,5 mm Allen key (included) 

6 x M4x10 Screws (included)

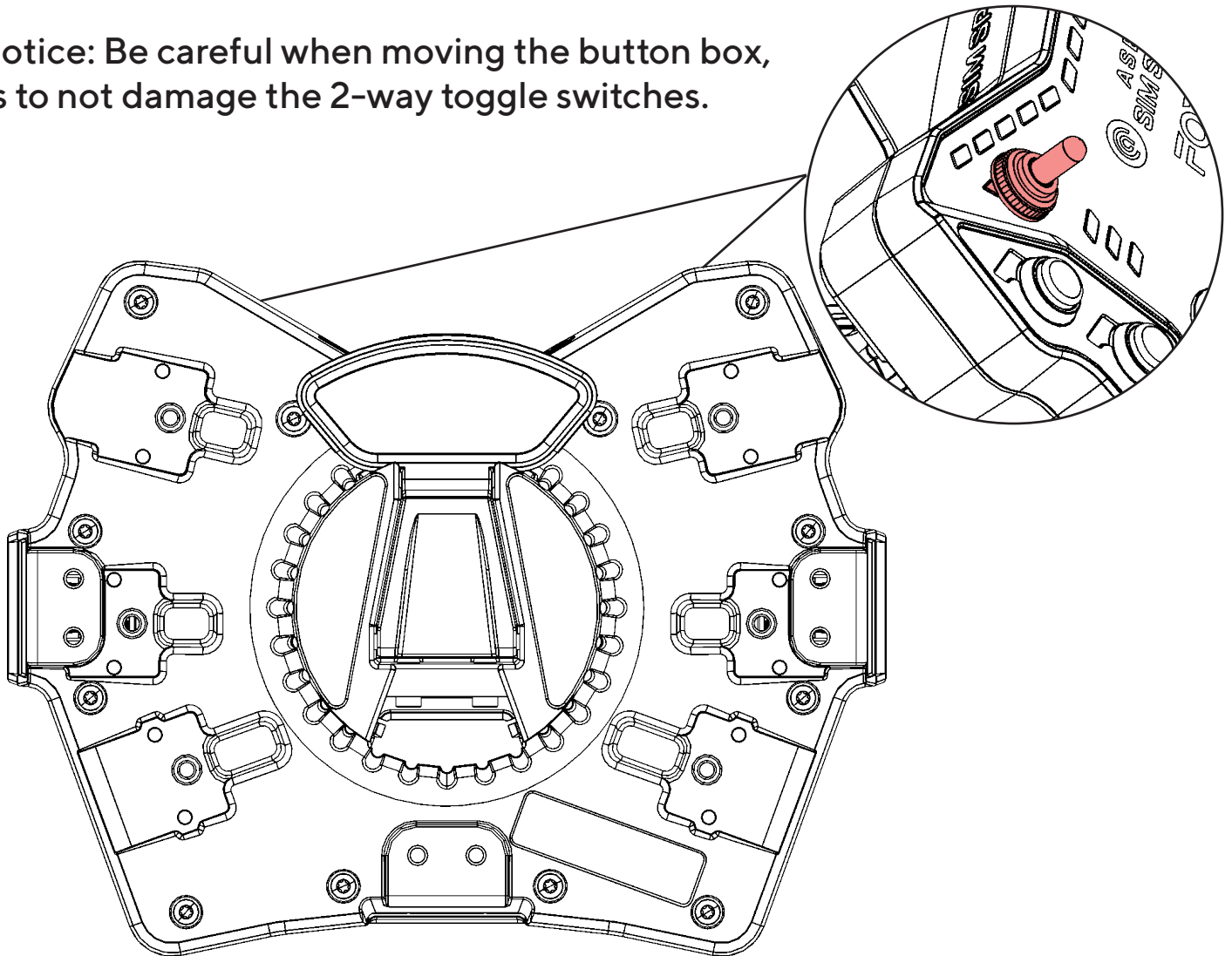


Notice: The illustrations used are of a Forte button box and a round leather rim, these are just used as an example and the steps apply to all Asetek SimSports GT button boxes and rims.

Step 1:

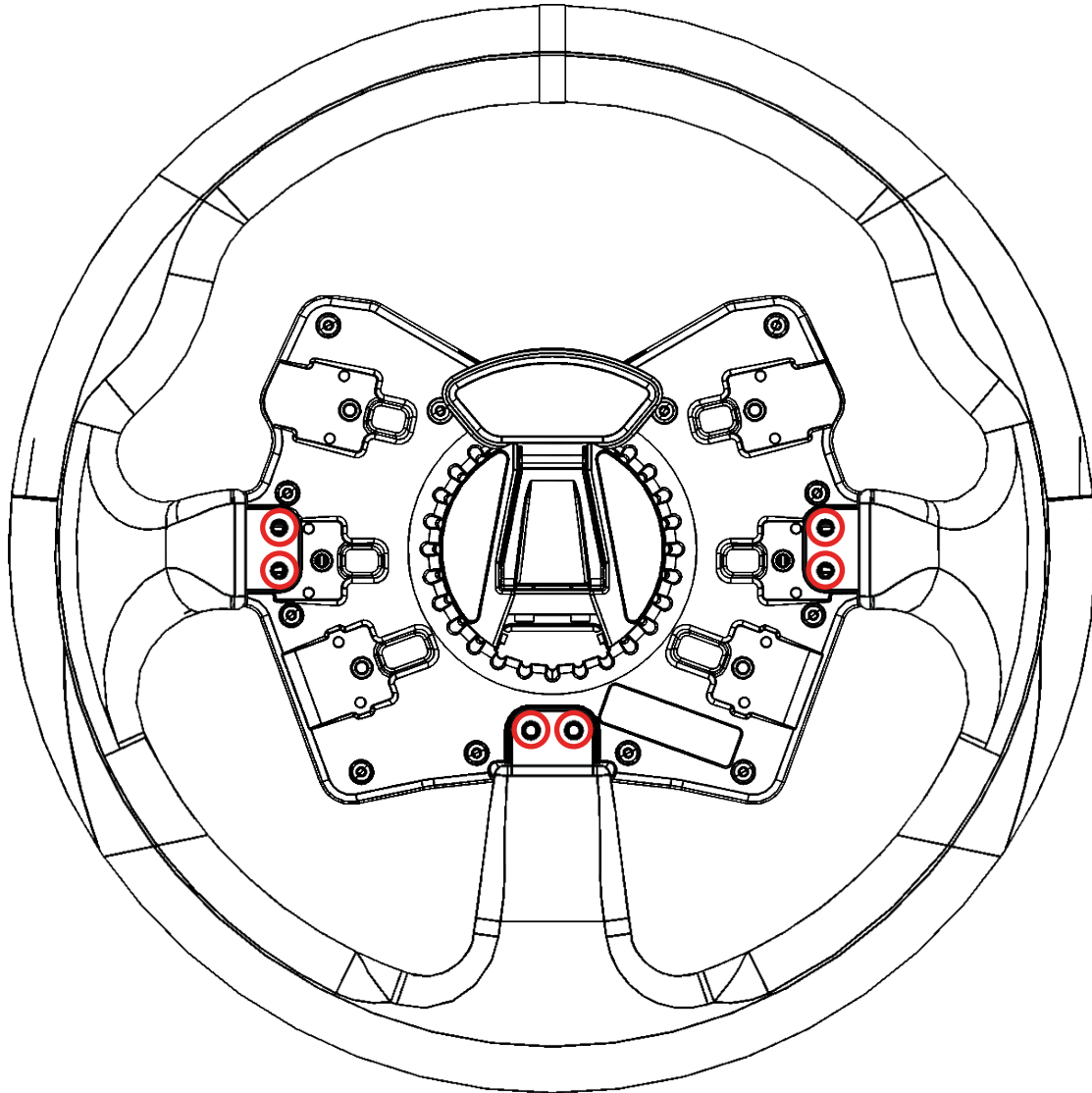
Place your button box facing down - for example in the box it came in.

Notice: Be careful when moving the button box, as to not damage the 2-way toggle switches.



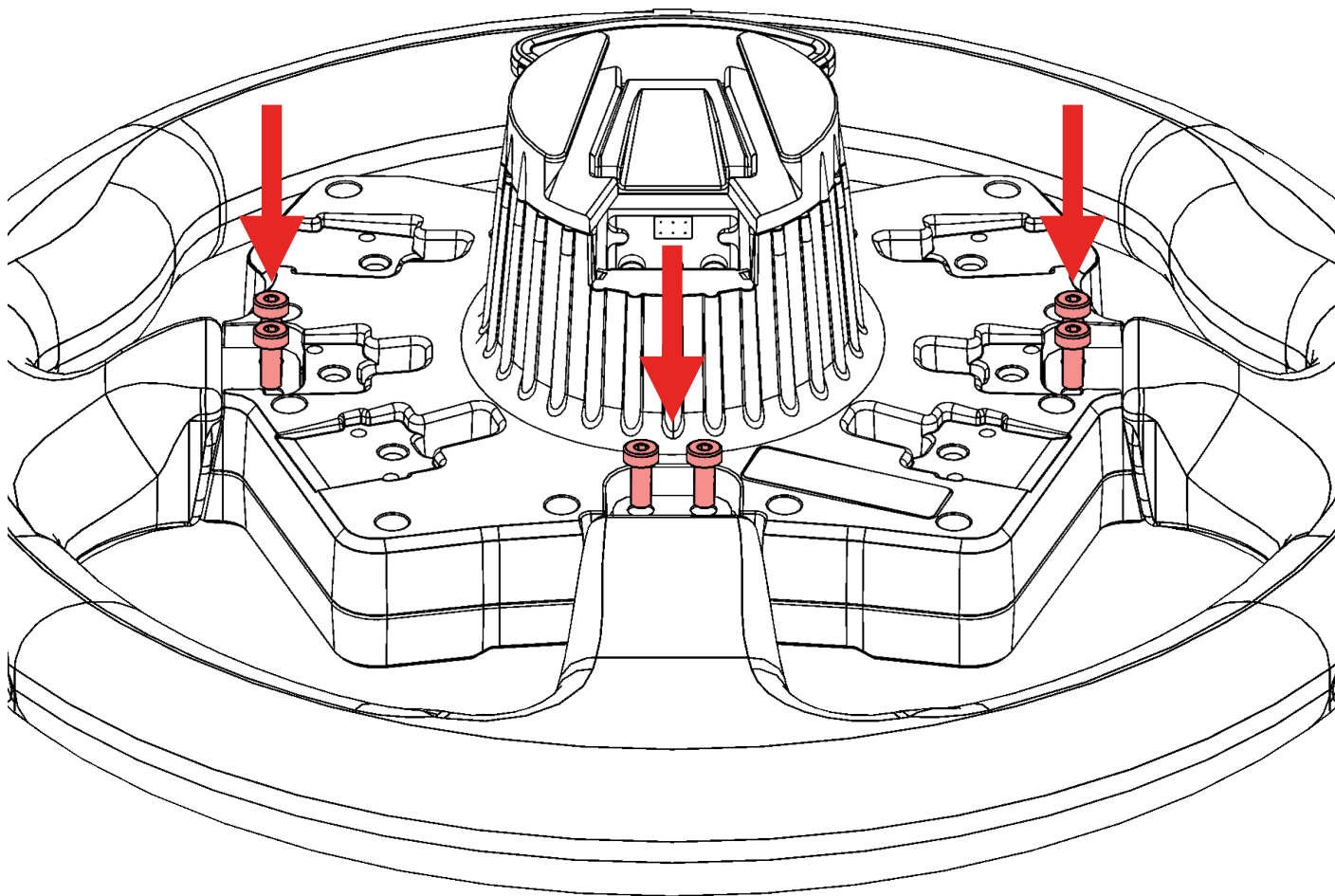
Step 2:

Gently place the rim on the button box, ensuring that the holes in the rim are aligned with the holes in the button box.



Step 3:

Take the 2,5 mm Allen key and the six(6) screws. Place them in the corresponding holes and tighten.



Notice: Be careful not to overtighten.